

HX421C13SBK2/8

8GB (4GB 512M x 64-Bit x 2 pcs.)
 DDR4-2133 CL13 288-Pin DIMM Kit



DESCRIPTION

HyperX HX421C13SBK2/8 is a kit of two 512M x 64-bit (4GB) DDR4-2133 CL13 SDRAM (Synchronous DRAM) 1Rx8, memory modules, based on eight 512M x 8-bit FBGA components per module. Total kit capacity is 8GB. Each module supports Intel® XMP (Extreme Memory Profiles). Each module has been tested to run at DDR4-2133 at a low latency timing of 13-13-13 at 1.2V. The SPDs are programmed to JEDEC standard latency DDR4-2133 timing of 15-15-15 at 1.2V. Each 288-pin DIMM uses gold contact fingers. The JEDEC standard electrical and mechanical specifications are as follows:

XMP TIMING PARAMETERS

- JEDEC: DDR4-2133 CL15-15-15 @1.2V
- XMP Profile #1: DDR4-2133 CL13-13-13 @1.2V

SPECIFICATIONS

| | |
|--|-------------------|
| CL(IDD) | 15 cycles |
| Row Cycle Time (tRCmin) | 46.5ns (min.) |
| Refresh to Active/Refresh Command Time (tRFCmin) | 260ns (min.) |
| Row Active Time (tRASmin) | 33ns (min.) |
| Maximum Operating Power | TBD W* |
| UL Rating | 94 V - 0 |
| Operating Temperature | 0° C to +85° C |
| Storage Temperature | -55° C to +100° C |

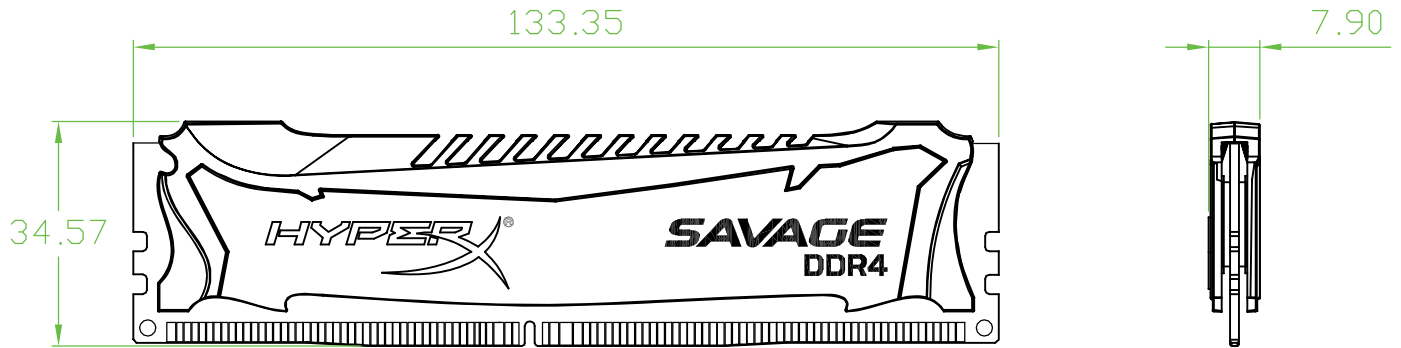
*Power will vary depending on the SDRAM used.

FEATURES

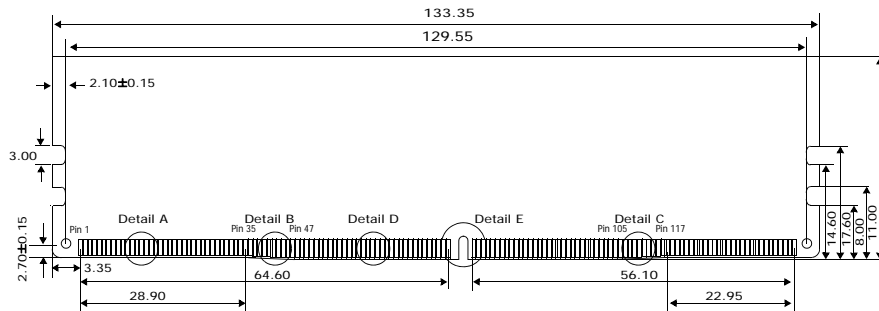
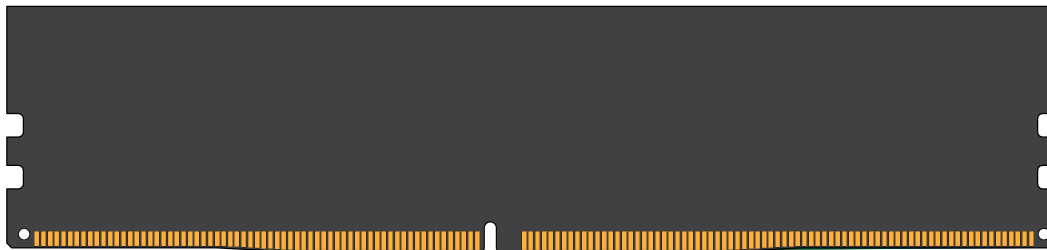
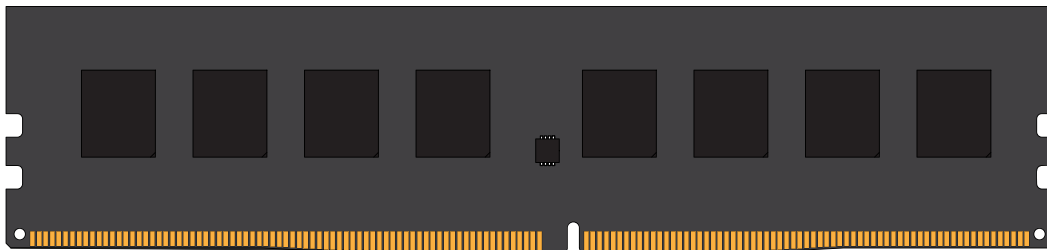
- Power Supply: VDD = 1.2V Typical
- VDDQ = 1.2V Typical
- VPP - 2.5V Typical
- VDDSPD = 2.25V to 3.6V
- On-Die termination (ODT)
- 16 internal banks; 4 groups of 4 banks each
- Bi-Directional Differential Data Strobe
- 8 bit pre-fetch
- Burst Length (BL) switch on-the-fly BL8 or BC4(Burst Chop)
- Height 1.36" (34.57mm)

Continued >>

MODULE WITH HEAT SPREADER



MODULE DIMENSIONS



FOR MORE INFORMATION, GO TO HYPERXGAMING.COM

All Kingston products are tested to meet our published specifications. Some motherboards or system configurations may not operate at the published HyperX memory speeds and timing settings. Kingston does not recommend that any user attempt to run their computers faster than the published speed. Overclocking or modifying your system timing may result in damage to computer components.